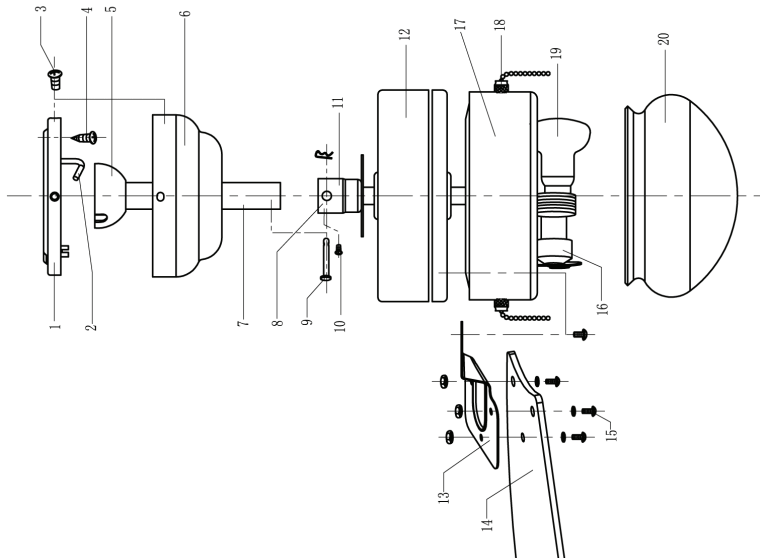


## ILLUSTRATIONS

### Description Of Parts:

1. Mounting Plate
2. J Hook (For temporary use while connecting wiring)
3. Screws
4. Screws
5. Hanger Ball
6. Upper Canopy
7. Downrod
8. Cotter Pin
9. Cross Pin
10. Screw
11. Downrod Yoke
12. Motor
13. Blade Holders
14. Blade
15. Blade Holder Screws
16. Lamp Holder
17. Switch Box
18. Pull Chain
19. Lamp (Excluded)
20. Glass Lens



## ENVIRONMENTAL PROTECTION



Waste electrical & Electronic equipment regulations requires that any of our products showing this marking must not be disposed of with other household or commercial waste. To prevent possible harm to the environment or human health from uncontrolled waste disposal, please separate any such products from other waste types and recycle it responsibly at your local facilities.

**eurolux**  
Lighting your way

## 6 Blade Turbo Ceiling Fan



Excluding: 1 X E14 Golfball Maximum 40W

## PRODUCT CODE

F7B / F7SC / F7SCCH / F7W

Cape Town - 9 Racecourse Road, Milnerton, 7441  
Johannesburg - 10 Milkyway Avenue, Linbro Business Park, Sandton, 2065  
[www.eurolux.co.za](http://www.eurolux.co.za)

**Please read instructions before commencing installation and retain for future reference.**

## SPECIFICATIONS


- **Fitting material:** Pressed steel with opal glass lens.
- **Motor:** 505W.
- **Lamp type:** Excluding: 1 x E14 Golfball Maximum 40W
- **Voltage:** 220-240V ~ 50Hz.
- **Protection against electric shock:** Class 1. Requires earth connection.
- **IP Rating:** 20. Protected against solid foreign objects of 12.5mm Ø and greater, not protected against water.
- Not for outdoor use or in wet conditions and areas of high humidity.
- **Dimensions:** (H)400mm x (Ø)760mm.
- **Features:** 3 Speeds forward and reverse.  
Remote compatible (excluded).  
2 Pull string switches
- **Spare glass:** X539

## IMPORTANT SAFEGUARDS

### F7 - attachments:

If the external flexible cable or cord of this fan is damaged, it should be exclusively replaced by the manufacturer or his service agent or a similar qualified person in order to avoid a hazard.

To ensure that you get maximum longevity and maximum use out of your fan, please observe the following safety instructions.

 Electrical products can cause death, injury, or damage to property. Installation of the fan must be carried out by a qualified electrician, in accordance with SANS 10142. On completion of installation, ensure that the Certificate of Compliance is updated.

- Before connecting this fan, ensure that voltage indicated on the rating label corresponds with the mains voltage in your home.
- When cleaning, ensure that the power is turned off.
- This fan is checked in full for conformity to the quality standards and safety requirements.
- The manufacturer / supplier is not responsible for any damage of properties and persons, caused by the incorrect use or installation of the fan.
- Should you be unsure of how to install this fan correctly, please consult a professional electrician or your supplier for assistance.
- Ensure all items/ components, threads and screws are tightly secured.

### IMPORTANT:

- Tampering with this fan, i.e. using silicon sealers or incorrect cabling, will invalidate your warranty.
- Please check whether the connection of the power cord is safe and reliable before installation.
- Always ensure that the mains supply voltage is correct.
- Do not use the fan outdoors, in wet conditions or areas of high humidity.

## CLEANING

- Before cleaning always ensure the power supply is turned off and that the fan has been unplugged.
- Do not immerse the fan in water.
- No abrasive products, solvents, detergent may be used to clean this fan.
- Ensure that the fan does not come in contact with corrosive chemicals, etc.
- Ensure all parts are dry before reassembling your fan.
- The motor bearings are permanently sealed and do not require additional lubrication.

## TROUBLE SHOOTING:

**CAUTION:** Ensure power supply is turned off before attempting trouble shooting.

**NOTE:** This fan does not contain servicable parts. DO NOT OPEN or TAMPER WITH THE MOTOR.

### Should your fan not start:

- 1) Check fuses are in place in the switchboard.
- 2) Recheck the terminal strip connections.
- 3) Ensure the wall & direction switches are not stuck in a “middle” position.
- 4) Ensure that the shipping tabs have been removed.
- 5) Ensure that the speed controller is not in the incorrect position.

### Should your fan be noisy:

- 1) Check all screws are sufficiently tight: fan blades and fan holders, (if applicable) glass of the lamp holder.
- 2) Allow at least 24 hours for the fan to settle.

### Should your fan wobble:

In general, wobble is caused by the blades not cutting the air at the same point. Measure downwards from the ceiling and make sure each blade is at the same height to the ceiling. See Figure 1. If they are not, adjust by hand by slightly bending the blade and bracket.

If a major adjustment is needed, insert a washer as shown in Figure 2.

Fan Wobbles:

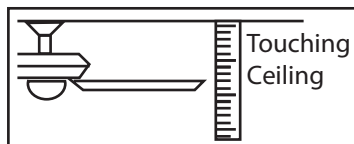


Figure 1

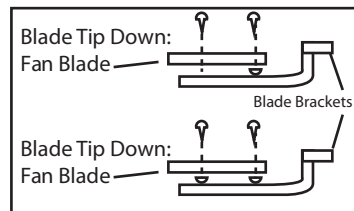


Figure 2

- 1) Check the blades are securely fastened to the holders.
- 2) Check the blade holders are tight on the motor.
- 3) Ensure the mounting bracket is properly screwed to the ceiling.
- 4) Interchange opposite blade sets if needed.

### Should the light on your fan not work:

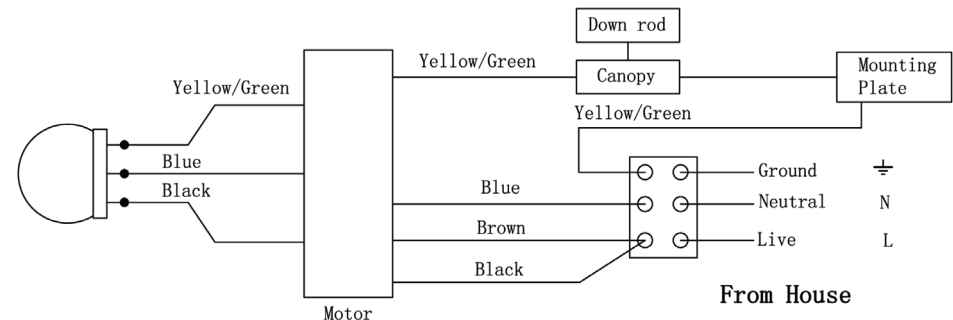
- 1) Check the terminal connections are tight.
- 2) Check if the lamp is blown.

Should the above fail, contact a qualified electrician for assistance.

- Always unplug the fan when cleaning or moving from one location to another.
- Always ensure that the fan is on an even, stable surface.
- To disconnect the appliance, unplug by first turning off the mains power then unplugging the fan. Do NOT pull on the cord, always grasp the plug.
- This appliance is not intended for use by persons (including children) with reduced physical, sensory or mental capabilities, or lack of experience and knowledge, unless they have been given supervision or instruction concerning use of the appliance by a person responsible for their safety.
- Children should be supervised to ensure that they do not play with the appliance.

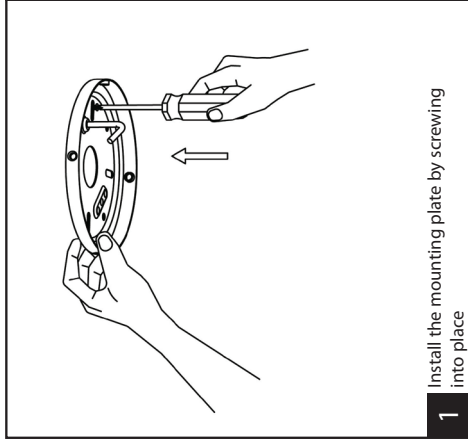
## OPERATION:

- Pull string one: Turns light on and off:
  - First: On
  - Second: Off
- Pull string two: Controls the speed of the fan:
  - First: High
  - Second: Medium
  - Third: Low
  - Fourth: Off
- Fan direction is controlled by the SUMMER / WINTER switch box on the body of the fan:
  - Left for cooling (SUMMER SETTING)
  - Right for circulating warm air (WINTER SETTING).

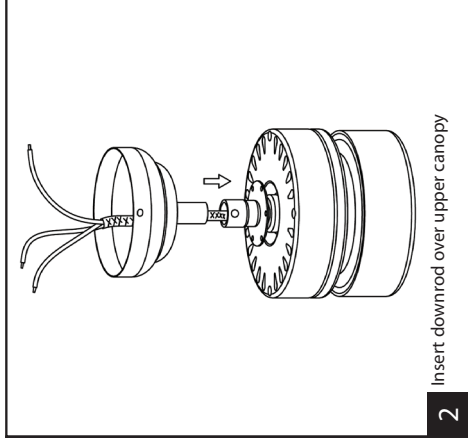


## Wiring Guide

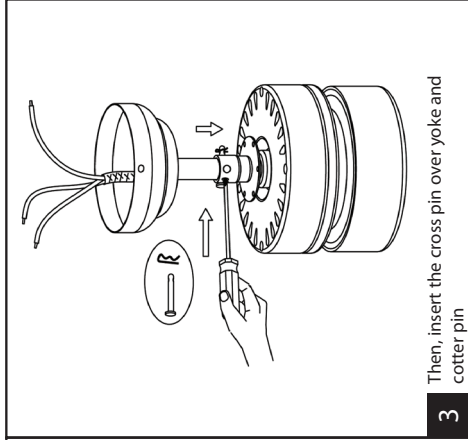
# INSTALLATION



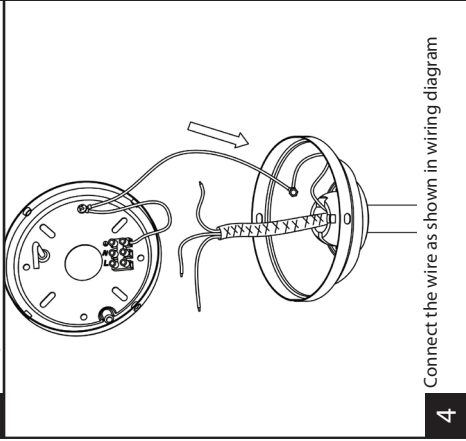
**1** Install the mounting plate by screwing into place



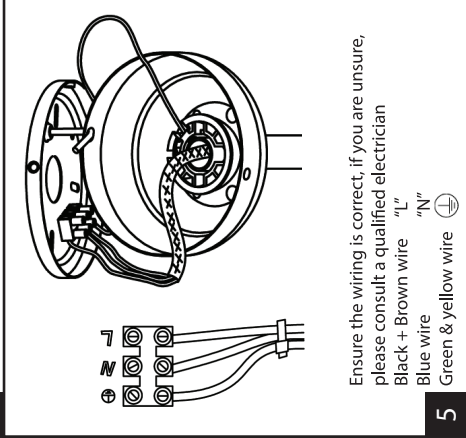
**2** Insert downrod over upper canopy



**3** Then, insert the cross pin over yoke and cotter pin

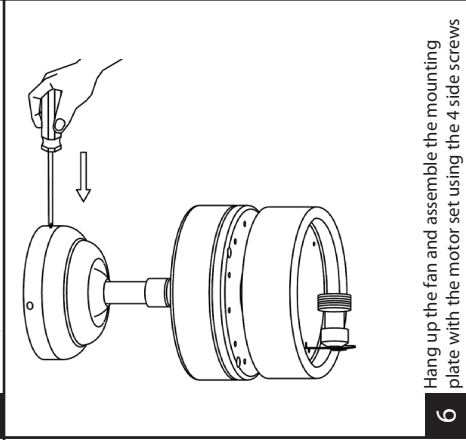


**4** Connect the wire as shown in wiring diagram

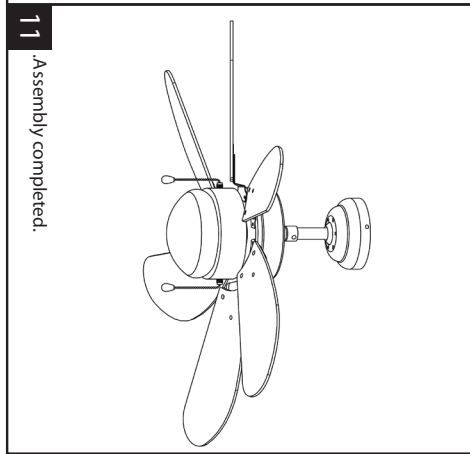


Ensure the wiring is correct, if you are unsure, please consult a qualified electrician  
 Black + Brown wire "L"  
 Blue wire "N"  
 Green & yellow wire  $\oplus$

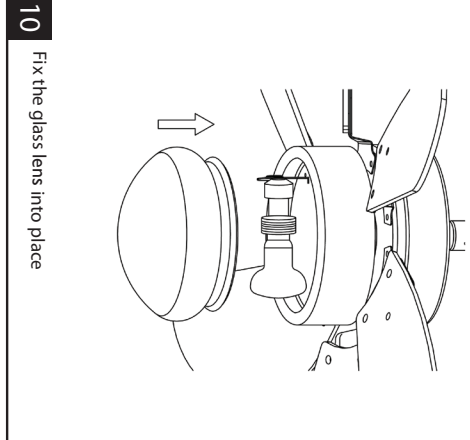
**5**



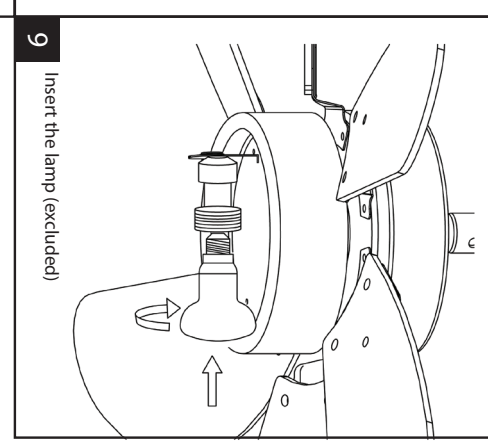
**6** Hang up the fan and assemble the mounting plate with the motor set using the 4 side screws



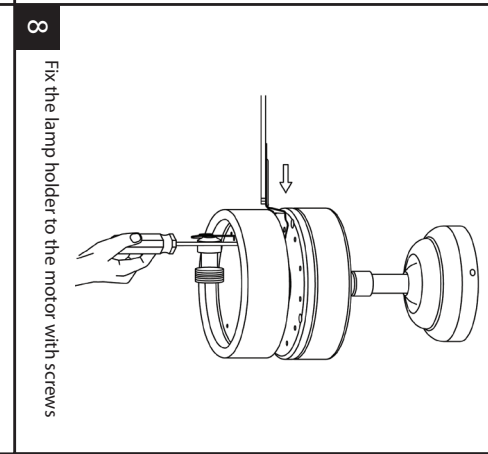
**11** Assembly completed.



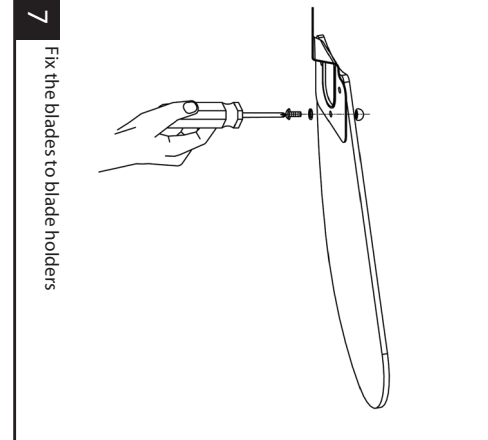
**10** Fix the glass lens into place



**9** Insert the lamp (excluded)



**8** Fix the lamp holder to the motor with screws



**7** Fix the blades to blade holders