



## VULCAN EVO LED



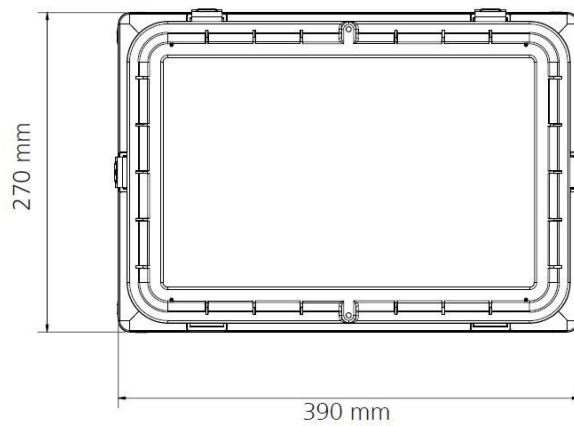
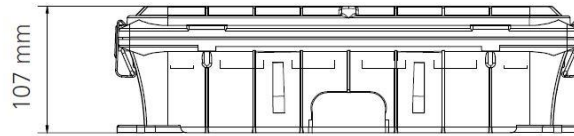
### GENERAL TECHNICAL DATA & WARRANTY INFORMATION

<b>Typical applications:</b>	<ul style="list-style-type: none"> <li>• Industrial application</li> <li>• Passage lighting</li> <li>• Security and perimeter lighting</li> <li>• Tunnel lighting application</li> <li>• General mining and conveyor applications</li> </ul>
<b>Light source:</b>	High powered LED Modules/ light engine
<b>Colour temperature:</b>	<ul style="list-style-type: none"> <li>• 3000K*</li> <li>• 4000K</li> <li>• 5000K*</li> </ul> [*Available on request]
<b>Operating temperature range:</b>	-30°C to 55°C
<b>Typical Lumen maintenance:</b>	L70 @ 50 000 hours
<b>IP Rating:</b>	IP65
<b>Luminaire housing:</b>	High-pressure die-cast LM6 aluminum finished with a durable dark grey* polyester epoxy powder coating. [*Grey is the standard colour , unpainted or other colours available on request]
<b>Luminaire clips and fasteners:</b>	<ul style="list-style-type: none"> <li>• 304 Grade* stainless steel</li> <li>• [*316 Grade available on request]</li> </ul>
<b>Diffuser:</b>	4mm Clear tempered glass diffuser
<b>Optics:</b>	Optical grade acrylic (PMMA) Zhaga book 15 compliant lenses
<b>Impact protection grade:</b>	IK08
<b>Mounting options:</b>	Surface
<b>Dimmable:</b>	1-10V or DALI [Available on request]
<b>Emergency option:</b>	1hr [Available on request]
<b>Surge protection:</b>	20kV / 20kA
<b>Power supply:</b>	220V to 240V AC 50 Hz
<b>Power factor:</b>	0.98
<b>Insulation classification:</b>	Class 1
<b>Compliance standard/s:</b>	<ul style="list-style-type: none"> <li>• SANS / IEC 60598-2-1</li> <li>• SANS 475</li> </ul>
<b>Warranty:</b>	<ul style="list-style-type: none"> <li>• 20 year warranty on luminaire body</li> <li>• 5 year warranty on internal components</li> </ul> [This warranty only covers defects or malfunctions caused during the manufacturing process or premature component failures that occur under normal operating conditions]



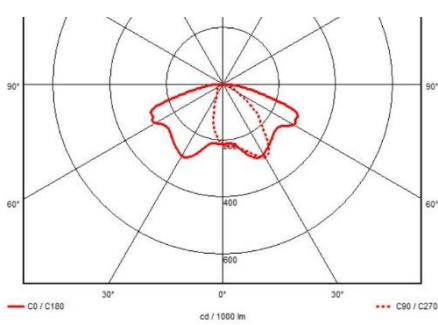
# VULCAN EVO LED

## DIMENSIONS

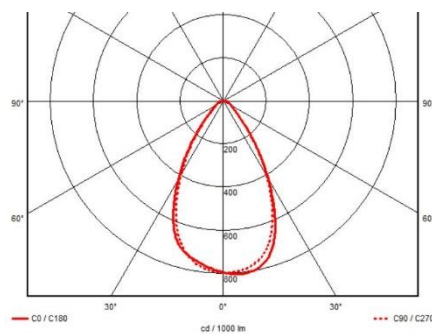


## TYPICAL LIGHT DISTRIBUTION

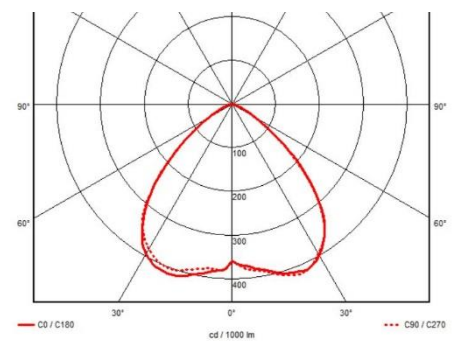
- POLAR DIAGRAM



**Optic: 41800**



**Optic: 41808**



**Optic: 41818**

- For best light distribution option please request a lighting design for specific application.



# VULCAN EVO LED

## PRODUCT VARIATIONS & ORDERING CODES

Typical Power Consumption (W)	Effective Lumen output *1 (lm)	CCT (K)	CRI *1	Lumen Maintenance *2	Efficacy (lm/W) *1	Ordering Code	Optic
20	2500	4000	70	L80	125	26571	41800
						26571/EMG	
						26570	41808
						26570/EMG	
25	3100				124	26580	41818
						26576	41800
						26572	41808
35	4200				120	26578	41818
						26574	41800
						26512	41808
26512/EMG							
55	5850				106	26579	41818
		26517	41800				
		26577	41808				
70	8400	120	26513	41818			
			26511	41800			
			26516	41808			
20	2400	3000	70	L80	120	26514	41818
						26581	41800
						26582	41808
25	3000				120	26583	41818
						26584	41800
						26585	41808
35	4000				114	26586	41818
						26587	41800
						26588	41808
55	5500				100	26589	41818
						26594	41800
						26595	41808
70	7976	114	26596	41818			
			26597	41800			
			26598	41808			
						26599	41818

### KEY's & IMPORTANT NOTES

<b>(*1)</b> Measurement precision for flux +/- 5%, for efficacy +/- 6%, for CRI +/- 1.5
<b>(*2)</b> Lumen maintenance L70 = 70% of initial flux @ ta 35°C / 60 000hrs
<b>(*3)</b> 80 CRI available on request



**GENLUX LIGHTING**

a lighting technology company

## VULCAN EVO LED

- **E.&O.E.** (errors and omissions excepted)
- **Important note:**  
Due to the rapid development in LED technology the performance values, power consumption and lumen output levels stated above are subject to change without prior notice.

**Email:** [genluxsales@actom.co.za](mailto:genluxsales@actom.co.za)

**Tel:** +27 11 825-3144

**Website:** [www.genluxlighting.co.za](http://www.genluxlighting.co.za)